

| 2 P | | 2 POLI / POLES - 3000 rpm - V 230/50 Hz | | | | | | | | | | Alta coppia di spunto High starting torque ME - MA - MC | | | | | Autofrenante in D.C. Brake motor in D.C. | | | | Autofrenante serie S in D.C. S series safety brake in D.C. | | | | Autofrenante positivo in D.C. Positive brake in D.C. | | | | | | | | |
|--------------|------------------|---|------|------------------|----------------|--------------|----------|----------|----------|----------------------------|-----------------------|---|----------|----------|------------|---|---|--------------|----------|---------------------------|---|----------------------|----------|---------------------------|--|----------------------|----------|---------------------------|------------|----------------------|------|----|----|
| TIPO TYPE | Potenza Power | | rpm | In 230 V A | Rend% Eff.% | Cosφ p.f. | Ia In | Ca Cn | Cn Nm | Capacità Capacity μF | J kgm ² | Peso Weight Kg | Ca Cn | Ia In | Cmax Cn | Capacità di spunto Starting capacity | | TIPO TYPE | CF Nm | Cicli/h Cycles/h ∅o | PB Watt | Peso Weight Kg | CF Nm | Cicli/h Cycles/h ∅o | PB VA | Peso Weight Kg | CF Nm | Cicli/h Cycles/h ∅o | PB Watt | Peso Weight Kg | | | |
| | ME | MA-MC | | | | | | | | | | | | | | Nm | ∅o | | | | | | | | | | | | | | Watt | Kg | Nm |
| M50B | 0,08 | 0,10 | 2810 | 0,9 | 45,0 | 0,99 | 1,8 | 0,6 | 0,3 | 12,5 | 0,00010 | 2,1 | 1,2 | 2,0 | 2,3 | 10 | - | AM50B | - | - | - | - | - | - | - | - | - | - | - | - | - | - | - |
| M56A | 0,08 | 0,10 | 2880 | 1,1 | 44,0 | 0,80 | 2,8 | 0,8 | 0,3 | 16,0 | 0,00012 | 2,7 | 2,5 | 3,0 | 2,4 | 20 | - | AM56A | 1 | 9700 | 12 | 4 | - | - | - | - | - | - | - | - | - | - | |
| M56B | 0,12 | 0,16 | 2810 | 1,2 | 53,4 | 0,90 | 2,5 | 0,5 | 0,4 | 16,0 | 0,00015 | 3,3 | 1,8 | 2,8 | 2,4 | 20 | - | AM56B | 1 | 8900 | 12 | 5 | - | - | - | - | - | - | - | - | - | - | - |
| M63B | 0,18 | 0,25 | 2900 | 1,9 | 50,0 | 0,96 | 3,2 | 0,7 | 0,6 | 10,0 | 0,00030 | 4,2 | 1,7 | 3,4 | 2,6 | 10 | 63+80 | AM63B | 4 | 6750 | 20 | 6 | 3 | 6750 | 18 | 6 | 7,5 | 6750 | 11,5 | 4,55 | | | |
| M63C | 0,25 | 0,35 | 2850 | 2,2 | 58,0 | 0,97 | 2,9 | 0,5 | 0,9 | 10,0 | 0,00035 | 4,4 | 1,2 | 3,0 | 2,5 | 10 | 63+80 | AM63C | 4 | 5400 | 20 | 6 | 3 | 5400 | 18 | 6 | 7,5 | 5400 | 11,5 | 4,75 | | | |
| M71B | 0,37 | 0,50 | 2810 | 4,3 | 52,5 | 0,80 | 2,4 | 0,9 | 1,3 | 16,0 | 0,00046 | 6,0 | 2,3 | 2,4 | 3,0 | 20 | 63+80 | AM71B | 4 | 5400 | 20 | 8 | 4 | 5400 | 18 | 7 | 7,5 | 5400 | 11,5 | 6,35 | | | |
| M71C | 0,55 | 0,75 | 2700 | 4,9 | 59,0 | 0,90 | 2,2 | 0,8 | 2,0 | 20,0 | 0,00057 | 6,3 | 1,7 | 2,3 | 2,6 | 20 | 63+80 | AM71C | 4 | 5300 | 20 | 8 | 4 | 5300 | 18 | 8 | 7,5 | 5300 | 11,5 | 6,65 | | | |
| M80B | 0,75 | 1,00 | 2800 | 5,1 | 70,0 | 0,97 | 3,2 | 0,7 | 2,6 | 25,0 | 0,00097 | 10,7 | 2,0 | 3,3 | 3,0 | 30 | 63+80 | AM80B | 8 | 5300 | 25 | 13 | 9 | 5300 | 25 | 13 | 15,0 | 5300 | 16,0 | 11,30 | | | |
| M80C | 1,10 | 1,50 | 2830 | 9,1 | 70,0 | 0,80 | 2,9 | 0,6 | 3,8 | 30,0 | 0,00120 | 11,3 | 1,7 | 2,9 | 2,8 | 30 | 63+80 | AM80C | 8 | 5100 | 25 | 14 | 9 | 5100 | 25 | 14 | 15,0 | 5100 | 16,0 | 11,90 | | | |
| M80D | 1,50 | 2,00 | 2700 | 10,7 | 71,0 | 0,90 | 2,7 | 0,6 | 5,3 | 35,0 | 0,00130 | 12,0 | 1,4 | 2,7 | 2,7 | 40 | 63+80 | AM80D | 8 | 4900 | 25 | 15 | 9 | 4900 | 25 | 15 | 15,0 | 4900 | 16,0 | 13,00 | | | |
| M90S | 1,50 | 2,00 | 2770 | 10,8 | 69,0 | 0,93 | 2,8 | 0,7 | 5,2 | 40,0 | 0,00150 | 13,2 | 1,6 | 2,6 | 2,9 | 40 | 100+130 | AM90S | 16 | 4000 | 30 | 18 | 10 | 4000 | 25 | 16 | 30,0 | 4000 | 21,0 | 13,80 | | | |
| M90L | 1,80 | 2,50 | 2850 | 12,0 | 73,6 | 0,96 | 3,2 | 0,5 | 6,2 | 50,0 | 0,00230 | 13,7 | 1,4 | 3,1 | 2,8 | 50 | 100+130 | AM90L | 16 | 4000 | 30 | 18 | 10 | 4000 | 25 | 16 | 30,0 | 4000 | 21,0 | 14,30 | | | |
| M90LB | 2,20 | 3,00 | 2790 | 14,5 | 73,0 | 0,95 | 3,0 | 0,6 | 7,6 | 50,0 | 0,00280 | 16,0 | 1,2 | 2,8 | 2,4 | 50 | 100+130 | AM90LB | 16 | 3800 | 30 | 21 | 10 | 3800 | 25 | 18 | 30,0 | 3800 | 21,0 | 16,60 | | | |
| M100B | 2,20 | 3,00 | 2890 | 14,4 | 72,7 | 0,98 | 3,3 | 0,5 | 7,4 | 60,0 | 0,00530 | 22,2 | 1,4 | 3,3 | 2,7 | 60 | 100+130 | AM100B | 32 | 2500 | 40 | 29 | 12 | 2500 | 35 | 26 | 60,0 | 2500 | 28,0 | 23,10 | | | |
| M100BL | 3,00 | 4,00 | 2830 | 18,5 | 75,5 | 0,98 | 2,7 | 0,4 | 10,2 | 60,0 | 0,00530 | 24,0 | 1,1 | 2,6 | 2,3 | 60 | 100+130 | AM100BL | 32 | 2500 | 40 | 31 | 12 | 2500 | 35 | 28 | 60,0 | 2500 | 28,0 | 24,90 | | | |

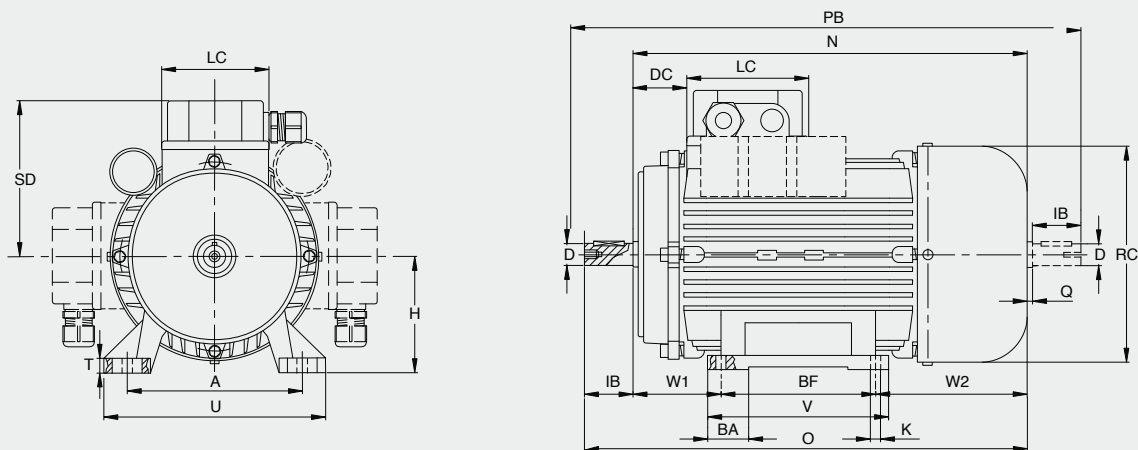
| 4 P | | 4 POLI / POLES - 1500 rpm - V 230/50 Hz | | | | | | | | | | Alta coppia di spunto High starting torque ME - MA - MC | | | | | Autofrenante in D.C. Brake motor in D.C. | | | | Autofrenante serie S in D.C. S series safety brake in D.C. | | | | Autofrenante positivo in D.C. Positive brake in D.C. | | | | | | | | | |
|--------------|------------------|---|------|------------------|----------------|--------------|----------|----------|----------|----------------------------|-----------------------|---|----------|----------|------------|---|---|--------------|----------|---------------------------|---|----------------------|----------|---------------------------|--|----------------------|----------|---------------------------|------------|----------------------|------|----|----|----|
| TIPO TYPE | Potenza Power | | rpm | In 230 V A | Rend% Eff.% | Cosφ p.f. | Ia In | Ca Cn | Cn Nm | Capacità Capacity μF | J kgm ² | Peso Weight Kg | Ca Cn | Ia In | Cmax Cn | Capacità di spunto Starting capacity | | TIPO TYPE | CF Nm | Cicli/h Cycles/h ∅o | PB Watt | Peso Weight Kg | CF Nm | Cicli/h Cycles/h ∅o | PB VA | Peso Weight Kg | CF Nm | Cicli/h Cycles/h ∅o | PB Watt | Peso Weight Kg | | | | |
| | ME | MA-MC | | | | | | | | | | | | | | Nm | ∅o | | | | | | | | | | | | | | Watt | Kg | Nm | ∅o |
| M50B | 0,06 | 0,08 | 1300 | 0,7 | 45 | 0,90 | 1,3 | 0,6 | 0,4 | 10,0 | 0,00010 | 2,5 | 1,1 | 1,5 | 2,0 | 10 | - | AM50B | - | - | - | - | - | - | - | - | - | - | - | - | - | - | | |
| M56B | 0,09 | 0,12 | 1350 | 0,9 | 49 | 0,98 | 1,7 | 0,6 | 0,7 | 6,3 | 0,00015 | 3,3 | 1,9 | 2,5 | 2,0 | 10 | - | AM56B | 1 | 12500 | 12 | 5,0 | - | - | - | - | - | - | - | - | - | - | | |
| M56C | 0,11 | 0,15 | 1320 | 1,0 | 49 | 0,99 | 1,5 | 0,6 | 0,8 | 8,0 | 0,00020 | 3,4 | 1,6 | 2,4 | 2,1 | 10 | - | AM56C | 1 | 12500 | 12 | 5,0 | - | - | - | - | - | - | - | - | - | - | - | - |
| M63B | 0,12 | 0,16 | 1380 | 1,3 | 49 | 0,95 | 1,9 | 0,6 | 0,9 | 8,0 | 0,00040 | 4,3 | 1,7 | 2,3 | 2,0 | 10 | 63+80 | AM63B | 4 | 10500 | 20 | 6,0 | 3 | 10500 | 18 | 6,0 | 7,5 | 10500 | 11,5 | 4,65 | | | | |
| M63C | 0,18 | 0,25 | 1300 | 1,6 | 53 | 0,99 | 1,6 | 0,5 | 1,4 | 10,0 | 0,00040 | 4,8 | 1,2 | 1,9 | 2,0 | 10 | 63+80 | AM63C | 4 | 10500 | 20 | 6,0 | 3 | 10500 | 18 | 6,0 | 7,5 | 10500 | 11,5 | 5,15 | | | | |
| M63D | 0,22 | 0,30 | 1330 | 1,9 | 55 | 0,99 | 1,6 | 0,6 | 1,6 | 12,5 | 0,00050 | 5,2 | 1,3 | 1,9 | 2,0 | 10 | 63+80 | AM63D | 4 | 8400 | 20 | 6,4 | 3 | 8400 | 18 | 6,4 | 7,5 | 8400 | 11,5 | 5,55 | | | | |
| M71B | 0,25 | 0,35 | 1350 | 2,2 | 57 | 0,93 | 2,3 | 0,9 | 1,8 | 12,5 | 0,00080 | 6,8 | 2,4 | 2,9 | 2,2 | 20 | 63+80 | AM71B | 4 | 17000 | 20 | 9,0 | 4 | 17000 | 18 | 8,0 | 7,5 | 17000 | 11,5 | 7,15 | | | | |
| M71C | 0,37 | 0,50 | 1320 | 3,2 | 62 | 0,96 | 1,9 | 0,7 | 2,7 | 12,5 | 0,00090 | 7,8 | 1,9 | 2,3 | 2,1 | 20 | 63+80 | AM71C | 4 | 16000 | 20 | 11,0 | 4 | 16000 | 18 | 9,0 | 7,5 | 16000 | 11,5 | 8,15 | | | | |
| M80A | 0,55 | 0,75 | 1350 | 4,4 | 60 | 0,96 | 2,0 | 0,7 | 4,0 | 20,0 | 0,00140 | 10,0 | 1,8 | 2,5 | 2,2 | 30 | 63+80 | AM80A | 8 | 9000 | 25 | 13,0 | 9 | 9000 | 25 | 13,0 | 15,0 | 9000 | 16,0 | 10,60 | | | | |
| M80B | 0,75 | 1,00 | 1370 | 5,6 | 62,4 | 0,96 | 2,7 | 0,7 | 5,3 | 25,0 | 0,00170 | 11,4 | 1,5 | 2,8 | 2,1 | 30 | 63+80 | AM80B | 8 | 9000 | 25 | 14,0 | 9 | 9000 | 25 | 14,0 | 15,0 | 9000 | 16,0 | 12,00 | | | | |
| M80C | 0,88 | 1,20 | 1360 | 6,5 | 63 | 0,97 | 2,5 | 0,7 | 6,2 | 30,0 | 0,00230 | 11,0 | 1,4 | 2,7 | 2,0 | 30 | 100+130 | AM80C | 8 | 9000 | 25 | 13,2 | 9 | 9000 | 25 | 13,2 | 15,0 | 9000 | 16,0 | 11,60 | | | | |
| M90S | 1,10 | 1,50 | 1390 | 8,7 | 68,3 | 0,86 | 3,0 | 0,6 | 7,7 | 30,0 | 0,00330 | 13,8 | 1,5 | 2,9 | 2,3 | 40 | 100+130 | AM90S | 16 | 13500 | 30 | 18,0 | 10 | 13500 | 25 | 16,0 | 30,0 | 13500 | 21,0 | 14,40 | | | | |
| M90L | 1,50 | 2,00 | 1380 | 10,7 | 70,9 | 0,90 | 3,1 | 0,6 | 10,6 | 40,0 | 0,00400 | 14,5 | 1,3 | 3,0 | 2,2 | 40 | 100+130 | AM90L | 16 | 11000 | 30 | 19,0 | 10 | 11000 | 25 | 17,0 | 30,0 | 11000 | 21,0 | 15,10 | | | | |
| M90LB | 1,80 | 2,50 | 1350 | 12,0 | 71,5 | 0,92 | 2,8 | 0,6 | 12,6 | 45,0 | 0,00500 | 15,8 | 1,4 | 2,8 | 2,0 | 50 | 100+130 | AM90LB | 16 | 8000 | 30 | 20,0 | 10 | 8000 | 25 | 18,0 | 30,0 | 8000 | 21,0 | 16,40 | | | | |
| M100BL | 2,20 | 3,00 | 1410 | 15,2 | 75,4 | 0,90 | 3,1 | 0,4 | 15,2 | 50,0 | 0,00850 | 23,0 | 1,2 | 3,1 | 2,6 | 50 | 100+130 | AM100BL | 32 | 6000 | 40 | 29,5 | 12 | 6000 | 35 | 27,5 | 60,0 | 6000 | 28,0 | 23,90 | | | | |

Dimensioni motori monofase e monofase ad alta coppia di spunto
 serie M - ME - MD - MV - MC* - CD* - CV*

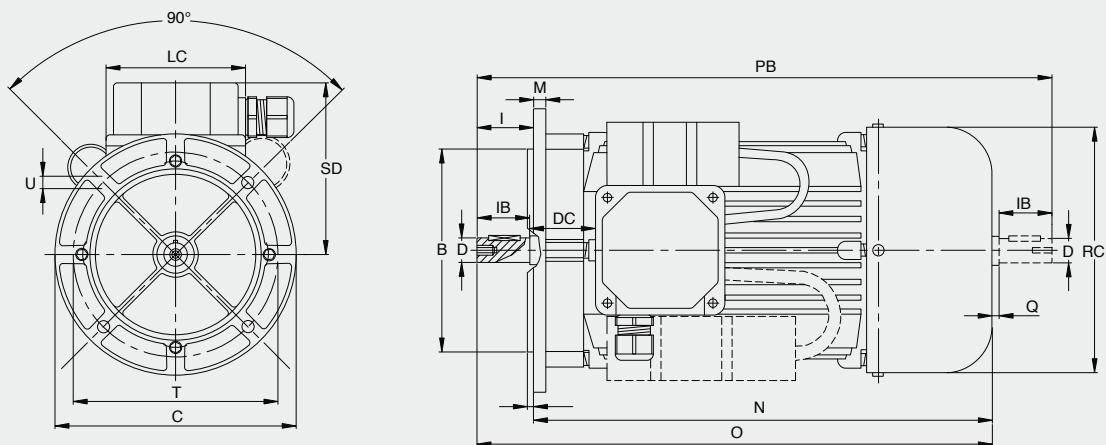
Dimensions of single-phase motors and single-phase motors with high locked rotor
 torque series M - ME - MD - MV - MC* - CD* - CV*

In generale dalla grandezza 71 ÷ 200 piedi riportati / In generale dalla grandezza 71 ÷ 200 piedi riportati

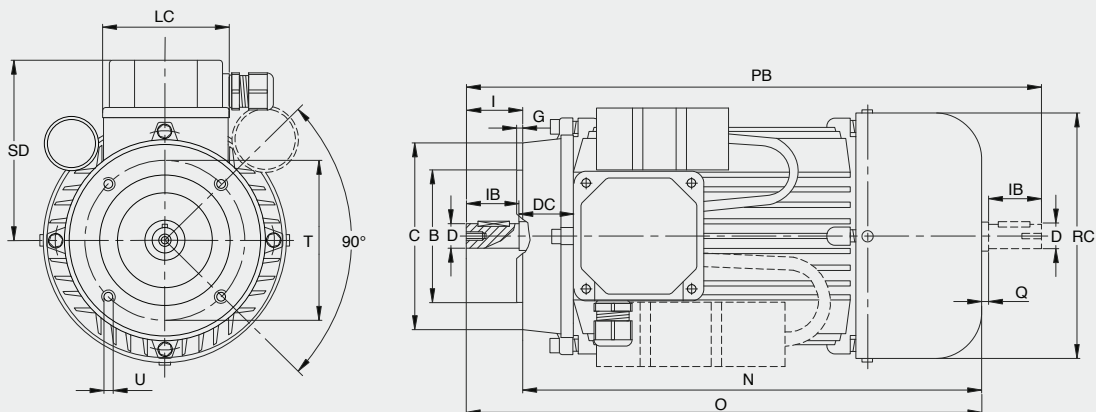
B3



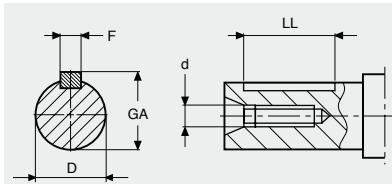
B5



B14



Tab. 37



| Grand. / Size | 50 | 56 | 63 | 71 | 80 | 90 | 100 | 112 | 132 | 160 | 180 | 200 |
|---------------|------|------|------|------|------|------|------|------|------|------|------|------|
| F | 3 | 3 | 4 | 5 | 6 | 8 | 8 | 8 | 10 | 12 | 14 | 16 |
| D | 9 | 9 | 11 | 14 | 19 | 24 | 28 | 28 | 38 | 42 | 48 | 55 |
| GA | 10,2 | 10,2 | 12,5 | 16,0 | 21,5 | 27,0 | 31,0 | 31,0 | 41,0 | 45,0 | 52,5 | 59,0 |
| d | | M4 | M4 | M5 | M6 | M8 | M10 | M10 | M12 | M16 | M16 | M20 |
| LL | 15 | 15 | 15 | 20 | 30 | 40 | 50 | 50 | 60 | 100 | 90 | 100 |

| Grand. Size | Dimensioni / Dimensions | | | | | | | | | | | | | | | | | | | B3 | |
|-------------|-------------------------|----|-----|-----|----|-----|----|-------|-------|-------|-----|-----|-----|-------|-----|-----|-------|---|----|----|----|
| | D | IB | A | BF | K | H | W1 | W2 | N | O | PG | RC | SD | TP | U | V | PB | Q | LC | DC | BA |
| 56 | 9 | 20 | 90 | 71 | 6 | 56 | 36 | 61,0 | 168,0 | 188,0 | M16 | 110 | 95 | 10 | 108 | 90 | 211,0 | 3 | 75 | 24 | 25 |
| 63 | 11 | 23 | 100 | 80 | 7 | 63 | 40 | 70,5 | 190,5 | 213,5 | M16 | 123 | 100 | 10 | 120 | 105 | 239,5 | 3 | 75 | 28 | 27 |
| 71 | 14 | 30 | 112 | 90 | 8 | 71 | 48 | 80,0 | 218,0 | 248,0 | M16 | 137 | 109 | 11 | 136 | 108 | 281,0 | 3 | 75 | 36 | 24 |
| 80 | 19 | 40 | 125 | 100 | 9 | 80 | 54 | 88,0 | 242,0 | 282,0 | M20 | 156 | 123 | 13/14 | 154 | 125 | 326,0 | 4 | 91 | 35 | 30 |
| 90S | 24 | 50 | 140 | 100 | 10 | 90 | 59 | 96,0 | 255,0 | 305,0 | M20 | 176 | 128 | 15 | 170 | 130 | 358,0 | 3 | 91 | 40 | 30 |
| 90L | 24 | 50 | 140 | 125 | 10 | 90 | 59 | 96,0 | 280,0 | 330,0 | M20 | 176 | 128 | 13/15 | 170 | 155 | 383,0 | 3 | 91 | 40 | 32 |
| 100 | 28 | 60 | 160 | 140 | 13 | 100 | 63 | 109,0 | 312,0 | 372,0 | M20 | 194 | 140 | 15/16 | 192 | 175 | 437,0 | 5 | 91 | 45 | 32 |

| Grand. Size | Dimensioni / Dimensions | | | | | | | | | | | | | | | | | B5 | |
|-------------|-------------------------|----|-----|-----|-----|-----|------|-------|-------|-----|-----|-----|------|-------|---|----|----|----|--|
| | D | I | B | C | T | G | M | N | O | PG | RC | SD | U | PB | Q | LC | DC | IB | |
| 56 | 9 | 20 | 80 | 120 | 100 | 2,5 | 8,5 | 168,0 | 188,0 | M16 | 110 | 95 | 7,0 | 211,0 | 3 | 75 | 24 | 20 | |
| 63 | 11 | 23 | 95 | 140 | 115 | 2,5 | 10,0 | 190,5 | 213,5 | M16 | 123 | 100 | 9,5 | 239,5 | 3 | 75 | 28 | 23 | |
| 71 | 14 | 30 | 110 | 160 | 130 | 3,0 | 10,0 | 218,0 | 248,0 | M16 | 137 | 109 | 9,5 | 281,0 | 3 | 75 | 36 | 30 | |
| 80 | 19 | 40 | 130 | 200 | 165 | 3,0 | 11,0 | 242,0 | 282,0 | M20 | 156 | 123 | 12,0 | 326,0 | 4 | 91 | 35 | 40 | |
| 90S | 24 | 50 | 130 | 200 | 165 | 3,5 | 10,0 | 255,0 | 305,0 | M20 | 176 | 128 | 12,0 | 358,0 | 3 | 91 | 40 | 50 | |
| 90L | 24 | 50 | 130 | 200 | 165 | 3,5 | 10,0 | 280,0 | 330,0 | M20 | 176 | 128 | 12,0 | 383,0 | 3 | 91 | 40 | 50 | |
| 100 | 28 | 60 | 180 | 250 | 215 | 4,0 | 14,0 | 312,0 | 372,0 | M20 | 194 | 140 | 14,5 | 437,0 | 5 | 91 | 45 | 60 | |

| Grand. Size | Dimensioni / Dimensions | | | | | | | | | | | | | | | | | B14 | |
|-------------|-------------------------|----|-----|-----|-----|-----|-------|-------|-----|-----|-----|----|-------|---|----|----|----|-----|--|
| | D | I | B | C | T | G | N | O | PG | RC | SD | U | PB | Q | LC | DC | IB | | |
| 50A | 9 | 20 | 50 | 80 | 65 | 2,5 | 125,0 | 145,0 | M16 | 98 | 77 | M5 | - | - | 56 | 20 | 20 | | |
| 50B | 9 | 20 | 50 | 80 | 65 | 2,5 | 142,0 | 162,0 | M16 | 98 | 77 | M5 | - | - | 64 | 23 | 20 | | |
| 56 | 9 | 20 | 50 | 80 | 65 | 2,5 | 168,0 | 188,0 | M16 | 110 | 95 | M5 | 211,0 | 3 | 75 | 24 | 20 | | |
| 63 | 11 | 23 | 60 | 90 | 75 | 2,5 | 190,5 | 213,5 | M16 | 123 | 100 | M5 | 239,5 | 3 | 75 | 28 | 23 | | |
| 71 | 14 | 30 | 70 | 105 | 85 | 3,0 | 218,0 | 248,0 | M16 | 137 | 109 | M6 | 281,0 | 3 | 75 | 36 | 30 | | |
| 80 | 19 | 40 | 80 | 125 | 100 | 3,0 | 242,0 | 282,0 | M20 | 156 | 123 | M6 | 326,0 | 4 | 91 | 35 | 40 | | |
| 90S | 24 | 50 | 95 | 140 | 115 | 3,0 | 255,0 | 305,0 | M20 | 176 | 128 | M8 | 358,0 | 3 | 91 | 40 | 50 | | |
| 90L | 24 | 50 | 95 | 140 | 115 | 3,0 | 280,0 | 330,0 | M20 | 176 | 128 | M8 | 383,0 | 3 | 91 | 40 | 50 | | |
| 100 | 28 | 60 | 110 | 160 | 130 | 4,0 | 312,0 | 372,0 | M20 | 194 | 140 | M8 | 437,0 | 5 | 91 | 45 | 60 | | |

* quote O/N - contattare ufficio tecnico

* value O/N - get in touch with the Technical Office